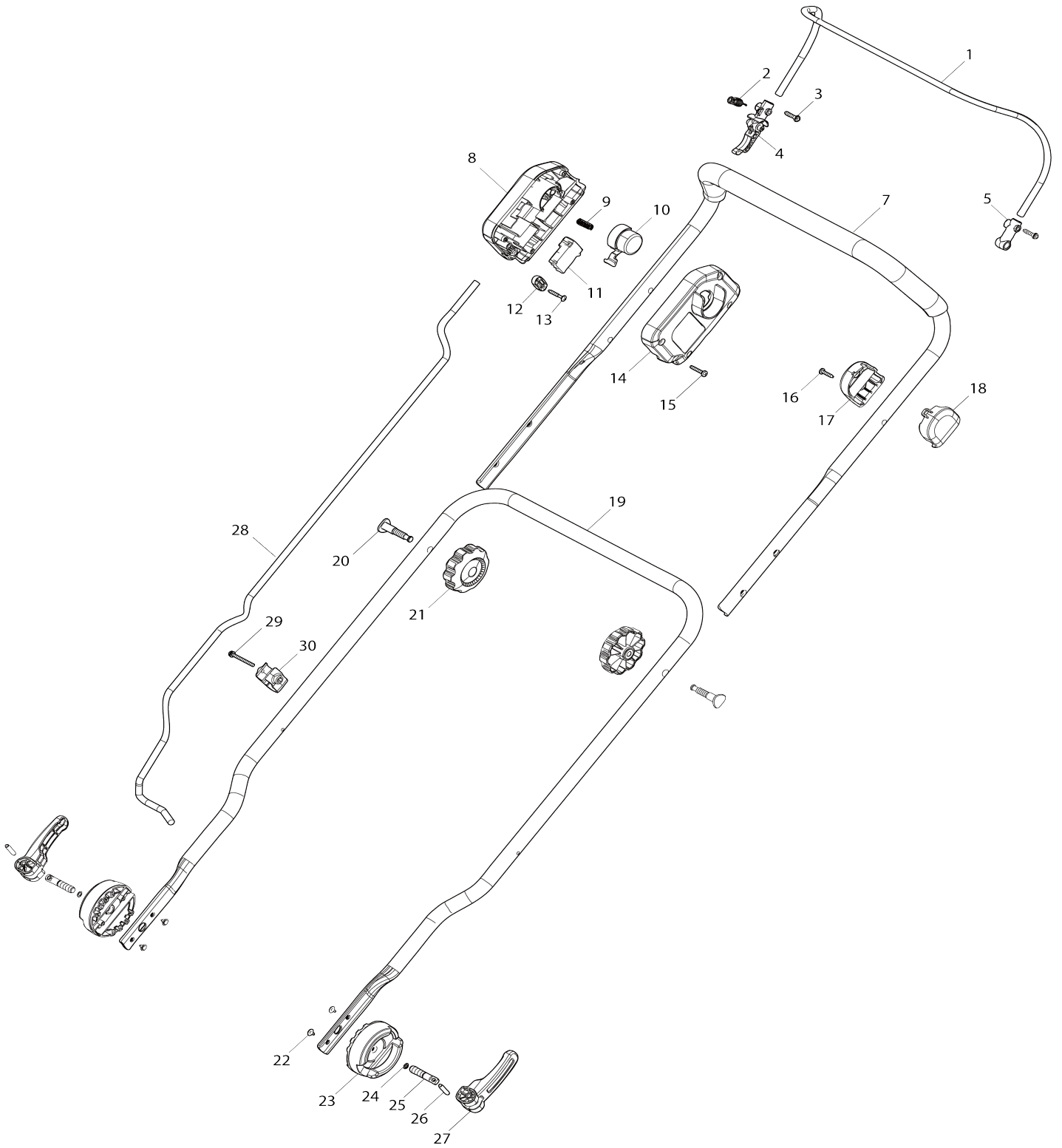
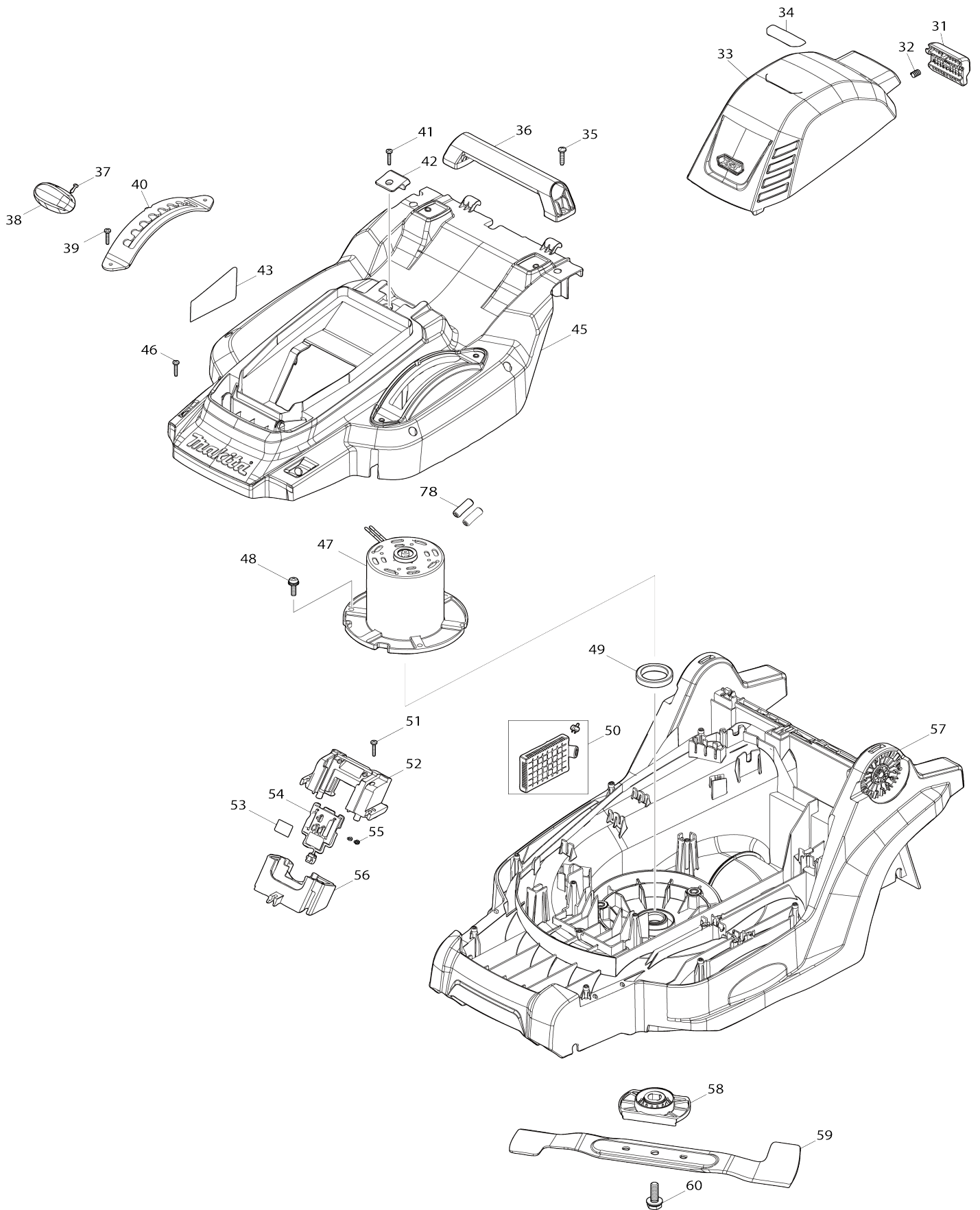


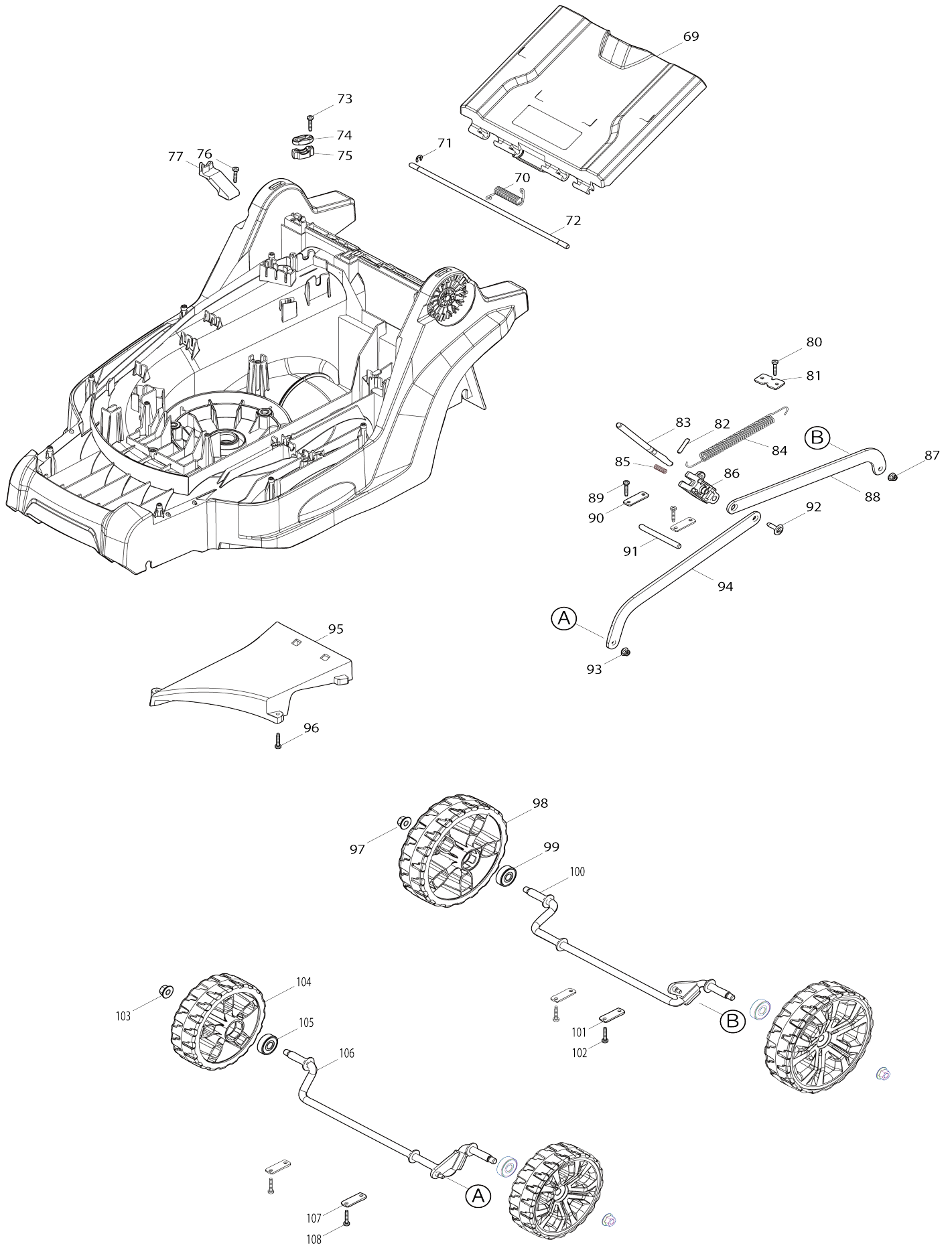
# Model No.LM003G 380MM CORDLESS LAWN MOWER



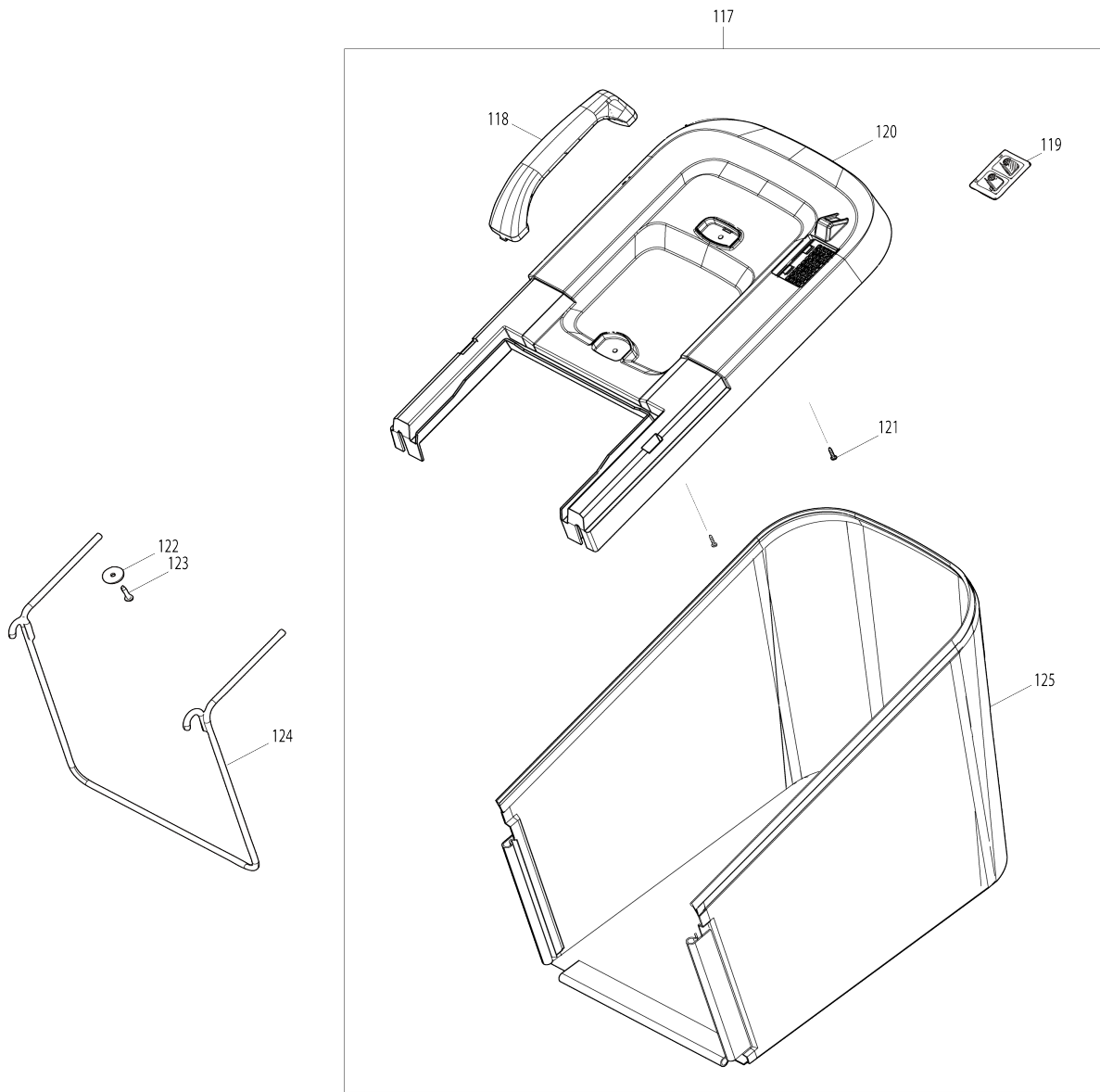
# Model No.LM003G 380MM CORDLESS LAWN MOWER



# Model No. LM003G 380MM CORDLESS LAWN MOWER



Model No.LM003G 380MM CORDLESS LAWN MOWER



**Model No.LM003G 380MM CORDLESS LAWN MOWER**

| Č. pol<br>ožky | Č. dielu | Popis  | Zame<br>niteln<br>osť | Množ. | Nový/<br>starý | Poznámka 1 | Poznámka 2 |
|----------------|----------|--|-----------------------|-------|----------------|------------|------------|
| 001            | 327C33-1 | SWITCH LEVER                                 |                       | 1     |                |            |            |
| 002            | 232814-1 | TENSION SPRING 7                             |                       | 1     |                |            |            |
| 003            | 911138-5 | Skrutka s polguľovou hlavou M4<br>X20 WR     |                       | 2     |                |            |            |
| 004            | 455075-8 | Páka   |                       | 1     |                |            |            |
| 005            | 455078-2 | Rameno                                       |                       | 1     |                |            |            |
| 007            | 141T11-7 | UPPER PIPE COMPLETE                          |                       | 1     |                |            |            |
| 008            | 1830C3-1 | SWITCH BOX SET                               |                       | 1     |                |            |            |
| C10            | 8053U7-4 | INDICATION LABEL                             |                       | 1     |                |            |            |
| D10            |          | INC. 14                                      |                       |       |                |            |            |
| 009            | 233068-3 | Prítlačná pružina 6                          |                       | 1     |                |            |            |
| 010            | 455074-0 | Spínač                                       |                       | 1     |                |            |            |
| 011            | 650041-2 | SWITCH TG772BDS-1                            |                       | 1     |                |            |            |
| 012            | 687124-5 | Svorka kábla                                 |                       | 1     |                |            |            |
| 013            | 265999-8 | Samorezná skrutka s valcovou hl<br>avou 4X25 |                       | 2     |                |            |            |
| 014            | 1830C3-1 | SWITCH BOX SET                               |                       | 1     |                |            |            |
| C10            | 8053U7-4 | INDICATION LABEL                             |                       | 1     |                |            |            |
| D10            |          | INC. 8                                       |                       |       |                |            |            |
| 015            | 266424-2 | Samorezná skrutka s valcovou hl<br>avou 4X20 |                       | 4     |                |            |            |
| 016            | 266326-2 | Samorezná skrutka s valcovou hl<br>avou 4X18 |                       | 1     |                |            |            |
| 017            | 456352-1 | Veko krytu páky spínača/spínacej<br>páky     |                       | 1     |                |            |            |
| 018            | 456351-3 | Kryt páky spínača/spínacej páky              |                       | 1     |                |            |            |
| 019            | 327C30-7 | LOWER PIPE                                   |                       | 1     |                |            |            |
| 020            | 265C08-1 | Skrutka s plochou hlavou M8X50               |                       | 2     |                |            |            |
| 021            | 265C06-5 | Krídlová matica M8                           |                       | 2     |                |            |            |
| 022            | 265B81-5 | Samozávrtná skrutka s nákrúžko<br>m 3X6      |                       | 4     |                |            |            |
| 023            | 413T46-1 | SUPPORT                                      |                       | 2     |                |            |            |
| 024            | 213877-6 | O-krúžok 6                                   |                       | 2     |                |            |            |
| 025            | 327C36-5 | LOCK PIN                                     |                       | 2     |                |            |            |
| 026            | 951119-7 | Pružinový čap 4-24                           |                       | 2     |                |            |            |
| 027            | 413T47-9 | LEVER  |                       | 2     |                |            |            |
| 028            | 699230-4 | POWER SUPPLY CORD UNIT                       |                       | 1     |                |            |            |
| 029            | 911163-6 | Skrutka s polguľovou hlavou M4<br>X35 WR     |                       | 1     |                |            |            |
| 030            | 413944-9 | Svorka                                       |                       | 1     |                |            |            |
| C10            | 931102-0 | Šesthranná matica M4                         |                       | 1     |                |            |            |
| 031            | 413B03-1 | Zaistovacia páčka                            |                       | 1     |                |            |            |
| 032            | 231037-8 | Prítlačná pružina 7                          |                       | 1     |                |            |            |
| 033            | 141T10-9 | BATTERY COVER COMPLETE                       |                       | 1     |                |            |            |
| 034            | 8071M8-0 | INDICATION LABEL                             |                       | 1     |                |            |            |
| 035            | 266459-3 | Samorezná skrutka s valcovou hl<br>avou 5X25 |                       | 2     |                |            |            |
| 036            | 273675-0 | Držadlo A                                    |                       | 1     |                |            |            |
| 037            | 266816-5 | Skrutka s polguľovou hlavou M3<br>X12 WR     |                       | 2     |                |            |            |
| 038            | 413939-2 | Držadlo páčky nastavenia výšky               |                       | 1     |                |            |            |

|       |          |  |   |   |   |  |  |
|-------|----------|--|---|---|---|--|--|
| 039   | 266424-2 | Samorezná skrutka s valcovou hlavou 4X20 |   | 2 |   |  |  |
| 040   | 162C76-4 | HEIGHT ADJUST PLATE                      |   | 1 |   |  |  |
| 041   | 266424-2 | Samorezná skrutka s valcovou hlavou 4X20 |   | 1 |   |  |  |
| 042   | 413T52-6 | HOOK                                     |   | 1 |   |  |  |
| 043   | 8142A8-5 | LM003G NAME PLATE                        |   | 1 |   |  |  |
| 045   | 137034-1 | COWLING ASS'Y                            |   | 1 |   |  |  |
| 046   | 266424-2 | Samorezná skrutka s valcovou hlavou 4X20 |   | 8 |   |  |  |
| 047   | 629C41-1 | DC MOTOR                                 |   | 1 | * |  |  |
| 047-1 | 629C41-1 | DC MOTOR                                 | O | 1 |   |  |  |
| 048   | 265A53-4 | Skrutka s polguľovou hlavou M6 X22 WR    |   | 3 |   |  |  |
| 049   | 688238-3 | Vstupný filter                           |   | 1 |   |  |  |
| 050   | 620M32-5 | CONTROLLER                               |   | 1 |   |  |  |
| 051   | 266424-2 | Samorezná skrutka s valcovou hlavou 4X20 |   | 3 |   |  |  |
| 052   | 1830A2-9 | TERMINAL HOUSING SET                     |   | 1 |   |  |  |
| C10   | 263005-3 | Gumený čap 6                             |   | 2 |   |  |  |
| D10   |          | INC. 56                                  |   |   |   |  |  |
| 053   | 8142B3-2 | LM003G SERIAL NO. LABEL                  |   | 1 |   |  |  |
| 054   | 632T08-2 | Jednotka svorkovnice                     |   | 1 |   |  |  |
| 055   | 652031-1 | Skrutka s polguľovou hlavou M3 X6        |   | 2 |   |  |  |
| 056   | 1830A2-9 | TERMINAL HOUSING SET                     |   | 1 |   |  |  |
| C10   | 263005-3 | Gumený čap 6                             |   | 2 |   |  |  |
| D10   |          | INC. 52                                  |   |   |   |  |  |
| 057   | 413T39-8 | DECK                                     |   | 1 |   |  |  |
| 058   | 413T45-3 | BLADE SUPPORT                            |   | 1 |   |  |  |
| 059   | 1913G8-3 | BLADE 380 SET                            |   | 1 |   |  |  |
| 060   | 265A69-9 | Skrutka so šesťhrannou hlavou M10X35 WG  |   | 1 |   |  |  |
| 069   | 141T59-9 | REAR FLAP COMPLETE                       |   | 1 |   |  |  |
| C10   | 8054C4-0 | CAUTION LABEL                            |   | 1 |   |  |  |
| 070   | 233597-6 | Torzna pružina 8                         |   | 1 |   |  |  |
| 071   | 961018-5 | Poistný krúžok (EXT.) E-5                |   | 1 |   |  |  |
| 072   | 327C37-3 | ROD 6                                    |   | 1 |   |  |  |
| 073   | 266424-2 | Samorezná skrutka s valcovou hlavou 4X20 |   | 2 |   |  |  |
| 074   | 687124-5 | Svorka kábla                             |   | 1 |   |  |  |
| 075   | 687051-6 | Svorka kábla                             |   | 1 |   |  |  |
| 076   | 266424-2 | Samorezná skrutka s valcovou hlavou 4X20 |   | 1 |   |  |  |
| 077   | 413T62-3 | LED HOLDER                               |   | 1 |   |  |  |
| 078   | 688165-4 | Vstupný filter                           |   | 2 |   |  |  |
| 080   | 266424-2 | Samorezná skrutka s valcovou hlavou 4X20 |   | 2 |   |  |  |
| 081   | 347870-9 | Doska s hákom                            |   | 1 |   |  |  |
| 082   | 951119-7 | Pružinovy čap 4-24                       |   | 1 |   |  |  |
| 083   | 327C32-3 | HEIGHT ADJUST LEVER                      |   | 1 |   |  |  |
| 084   | 232815-9 | TENSION SPRING 12                        |   | 1 |   |  |  |
| 085   | 232430-9 | COMPRESSION SPRING 5                     |   | 1 |   |  |  |
| 086   | 413T51-8 | ROD HOLDER                               |   | 1 |   |  |  |
|       |          |  |   |   |   |  |  |

|     |           |  |   |  |  |
|-----|-----------|--|---|--|--|
| 087 | 252286-4  | Šesthranná prírubová poistná matica M5-8 | 1 |  |  |
| 088 | 347B62-2  | CONNECTING ROD R                         | 1 |  |  |
| 089 | 266424-2  | Samorezná skrutka s valcovou hlavou 4X20 | 4 |  |  |
| 090 | 347869-4  | Doska                                    | 2 |  |  |
| 091 | 256A45-4  | ROD 7                                    | 1 |  |  |
| 092 | 265C05-7  | Samozávrtná skrutka s nákrúžkom 5X20     | 1 |  |  |
| 093 | 252286-4  | Šesthranná prírubová poistná matica M5-8 | 1 |  |  |
| 094 | 347B61-4  | CONNECTING ROD F                         | 1 |  |  |
| 095 | 413T42-9  | UNDER COVER                              | 1 |  |  |
| 096 | 266424-2  | Samorezná skrutka s valcovou hlavou 4X20 | 4 |  |  |
| 097 | 252145-2  | Šesthranná prírubová matica M8           | 2 |  |  |
| 098 | 413U87-3  | REAR WHEEL                               | 2 |  |  |
| 099 | 210070-3  | Guľôčkové ložisko 6200ZZ                 | 2 |  |  |
| 100 | 162C74-8  | REAR SHAFT                               | 1 |  |  |
| 101 | 347869-4  | Doska                                    | 2 |  |  |
| 102 | 266424-2  | Samorezná skrutka s valcovou hlavou 4X20 | 4 |  |  |
| 103 | 252145-2  | Šesthranná prírubová matica M8           | 2 |  |  |
| 104 | 413U86-5  | FRONT WHEEL                              | 2 |  |  |
| 105 | 210070-3  | Guľôčkové ložisko 6200ZZ                 | 2 |  |  |
| 106 | 162C73-0  | FRONT SHAFT                              | 1 |  |  |
| 107 | 347869-4  | Doska                                    | 2 |  |  |
| 108 | 266424-2  | Samorezná skrutka s valcovou hlavou 4X20 | 4 |  |  |
| 117 | 122F55-2  | REAR BAG ASSEMBLY                        | 1 |  |  |
| D10 |           | INC. 118-121,125                         |   |  |  |
| 118 | 413T48-7  | GRIP                                     | 1 |  |  |
| 119 | 459806-7  | Indikátor M                              | 1 |  |  |
| 120 | 413T44-5  | REAR BAG COVER                           | 1 |  |  |
| 121 | 266424-2  | Samorezná skrutka s valcovou hlavou 4X20 | 2 |  |  |
| 122 | 267438-4  | Plochá podložka 5                        | 2 |  |  |
| 123 | 266424-2  | Samorezná skrutka s valcovou hlavou 4X20 | 2 |  |  |
| 124 | 327C29-2  | REAR BAG ROD                             | 1 |  |  |
| 125 | 162C75-6  | REAR BAG                                 | 1 |  |  |
| A01 | 1913H2-2  | MULCHING PLUG 380 SET                    | 1 |  |  |
| A02 | 782210-8  | Násuvny rúrkový kľúč 17                  | 1 |  |  |
| E01 | 800A17-7  | Nálepka (štítok) hlučnosti 94DB          | 1 |  |  |
| A03 | 412393-7  | Krytka kontaktov akumulátora             | 1 |  |  |
| A04 | ***DC40WB | DC40WB CHARGER                           | 1 |  |  |
| A05 | 191B26-6  | Súprava akumulátora BL4040               | 1 |  |  |
| A04 | ***DC40RC | DC40RC FAST CHARGER                      | 1 |  |  |
| D10 |           | COMPO-PARTS                              |   |  |  |

Pri objednávke zadajte číslo dielu.

Dátum tlače 27. 11. 2023